



DIVERSITECH

XA4 SERIES

ARTICULATED CAPTURE ARM



Diversitech's XA4 series fume extraction arms provide users with an ultra-smooth articulation by either strut-supported standing fume arms or spring-assisted positioning of the hanging arm.

The fully powder-coated steel structure with spark resistant flexible joints rotates fully about the base, and features dual pivots at the source-capture hood to allow accurate positioning for best capture of smoke, fume or dust. The ring handle at the hood allows easy positioning from all sides, and the arm features an internal damper for fine airflow control.

Available accessories include electrical grounding, battery or wired LED lighting, and either spark or paint arresstance pre-filters mounted at the fume arm hood - All available in either 6" or 8" fume arm diameters!

Features:

- Smooth, low-friction movement
- Flanged suction hood
- Wall mounted, column mounted or portable
- Externally articulated, gas spring loaded
- Industrial swivel-base

Benefits:

- Capture-at-source for Cleaner Air
- Complies with OSHA guidelines
- Pairs with the Diversitech *FRED* line of Portable Fume Extractors

Options:

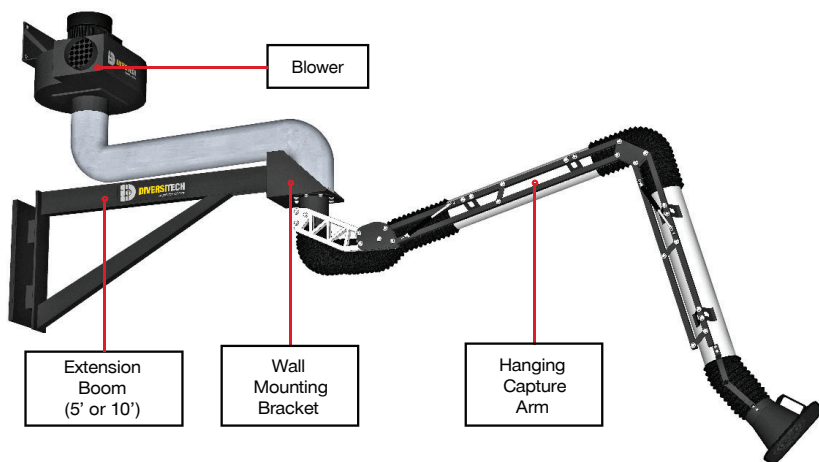
- Blowers (1200 to 2500 CFM)
- Hood mounted LED light kit
- Wall mounting bracket
- Extension booms (5' or 10')



www.diversitech-air.com



www.diversitech.ca



* The following setup, including extension boom and blower, is only available for 6" diameter arms.

Blowers



Dimensions*

Model	Width (in.)	Height (in.)	Length (in.)	Weight (lbs.)
BOOM-6-5	13	44	85	105
BOOM-6-10	13	44	140	135
BR-015	19	8	22	95
BR-030	19	8	22	110
BR-050	23	11	27	135

Arms Dimensions**

Model	Item No.	Type	Arm Diameter (in.)	Arm Length (ft.)	Net Weight (lbs.)
XA4-6H10	10019649	Hanging	6	10	59
XA4-6H13	10019650	Hanging	6	13	69
XA4-6S10	10019651	Standing	6	10	59
XA4-6S13	10019652	Standing	6	13	69
XA4-8H10	10019273	Hanging	8	10	77
XA4-8H13	10019274	Hanging	8	13	99
XA4-8S10	10019275	Standing	8	10	77
XA4-8S13	10019276	Standing	8	13	99

Wall Mounting Bracket



Model	Mating Arm Diameter (in.)	Extruded Bracket Distance (in.)
XA4-6H-WMB	6	15
XA4-8H-WMB	8	19

** Product dimensions are based on base-models and may vary depending on selected product features. Please contact us for an accurate shipping quote.

Technical Specifications

Blower Model	Motor (H.P.)	Power					Airflow (CFM)	Cord Length (ft.)	Type
		Phase (hz)	@120V (amps)	@230V (amps)	@460V (amps)	@575V (amps)			
BR-015	1.5	1/60Hz	14.2	---	---	---	1200	15	TEFC
BR-030	3.0	3/60Hz	---	8.0	4.0	3.1	1800	n/a	TEFC
BR-050	5.0	3/60Hz	---	12.0	6.0	4.6	2500	n/a	TEFC

HEAD OFFICE

3200 rue Guénette
Saint-Laurent, QC, Canada
H4S 2G5



DIVERSITECH

Part of Absolent
Air Care Group



1-800-361-3733



info@diversitech.ca



www.diversitech-air.com



www.diversitech.ca



1-800-361-3733



info@diversitech.ca