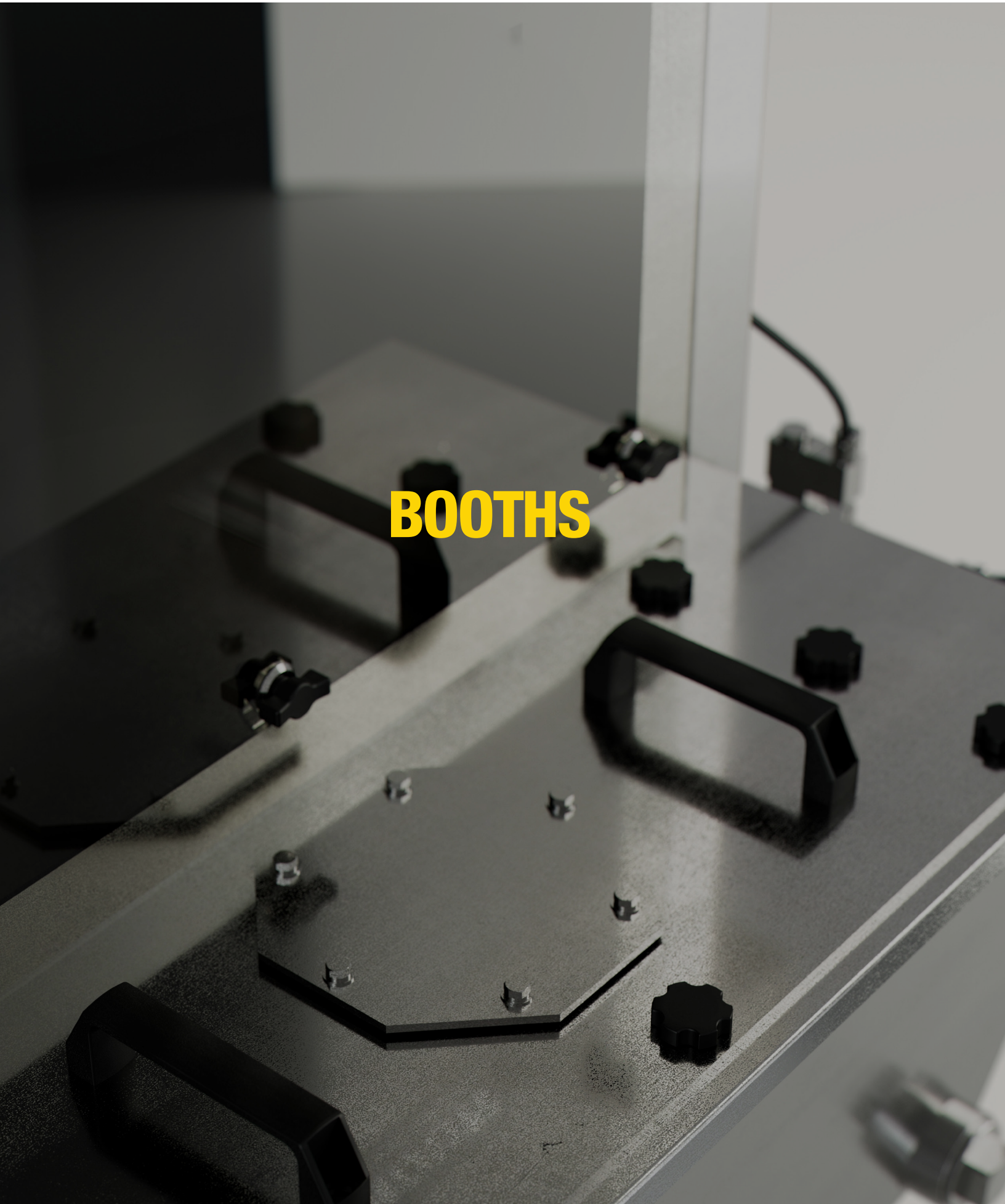




DIVERSITECH

Part of Absolent
Air Care Group

BOOTHS

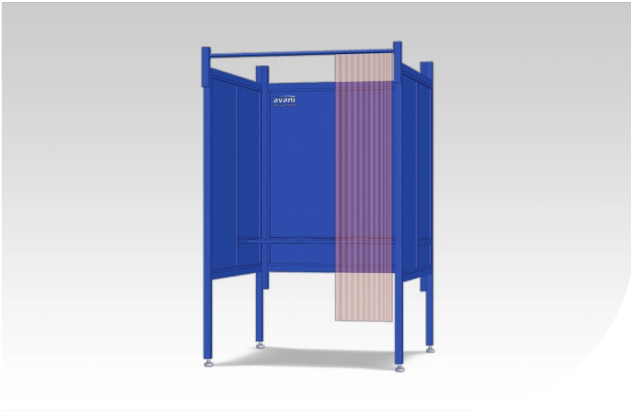




WELDING BOOTHS



Manufactured to handle the toughest work environments, Avani Environmental's welding booths exhibit the ease of low maintenance coupled with unequalled quality specifications and performance. With a large array of options including welder shelves, work surfaces, lighting, fume arms, integral collectors, backdraft and updraft air flow, Avani provides welding booths designed for your industrial or educational requirements.



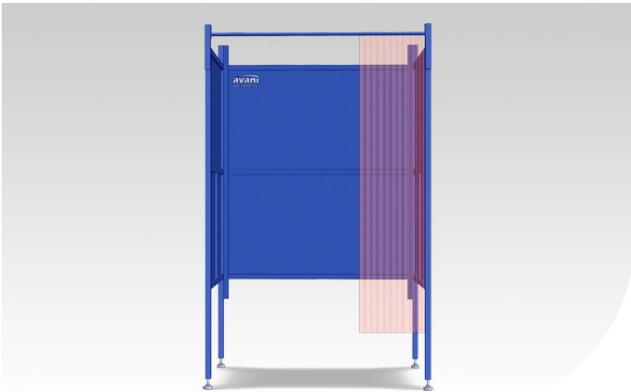
Model	WB-1055: 5' x 5' walk-in booth
	WB-1066: 6' x 6' walk-in booth

Avani WB-1000 Series

Avani's lighter weight booth is strong enough to handle the rigors of the welding environment but with economy in mind.

Standards include:

- Panel construction: 16 Gauge welded steel
- 1" square stock support
- Powder coated
- Adjustable feet with mounting plate
- Welding curtain rod



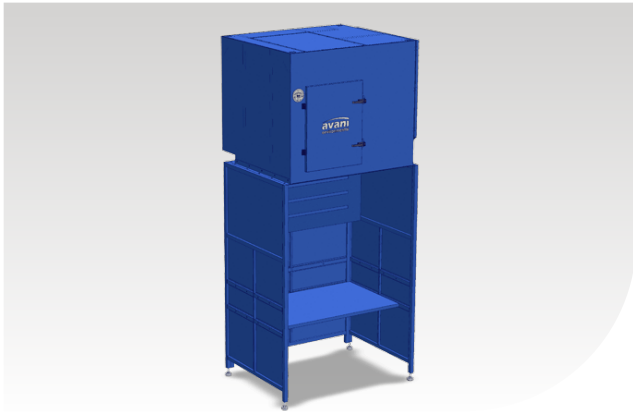
Model	WB-ECO-1055: 5' x 5' walk-in booth
	WB-ECO-1066: 6' x 6' walk-in booth

Avani WB ECO-1000 Series

Avani's lighter weight welding booth with 16 gauge powder coated steel.

Standards include:

- Panel construction: 12 Gauge welded steel
- 2" square stock support
- Fixed rear shelf
- Powder coated
- Adjustable feet with mounting plate
- Welding curtain rod



Single Booths	WB-3555-S: 5' x 5' with collector
	WB-3566-S: 6' x 6' with collector
Double Booths	WB-3555-D: 5' x 5' with shared collector
	WB-3566-D: 6' x 6' with shared collector

Avani WB 3500 Series

Fully integrated, self contained ductless welding system with both backdraft and updraft capability. Designed for use of wrap around curtain for additional safety in the educational welding environment.

Standards include:

- Double panel wall construction
- Top mounted collector
- Backdraft and updraft capability with dampers to adjust air flow
- Overhead explosion proof lighting
- Adjustable rear shelf
- Electrical outlets
- Compressed air and gas connections
- Debris cleanout drawers
- Extended curtain rod



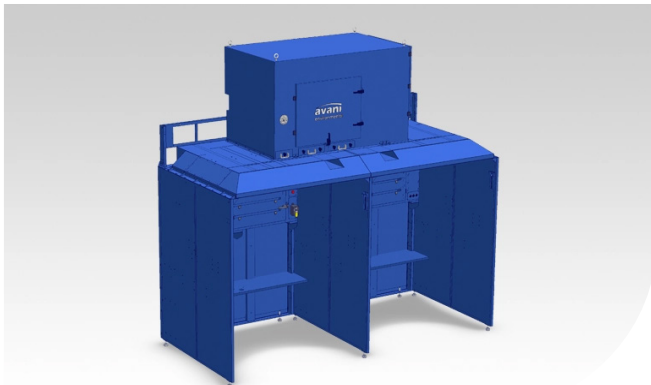
Single Booths	WB-5055-S: 5' x 5' with collector
	WB-5066-S: 6' x 6' with collector
Double Booths	WB-5055-D: 5' x 5' with shared collector
	WB-5066-D: 6' x 6' with shared collector

Avani WB 5000 Series

Ideal for use as a stand alone welding booth or in a series; easily integrated with *Filterhawk Cartridge Dust Collector* or a top mounted collector (3.0 / 5.0 HP) to optimize floorspace.

Standards include:

- Double panel wall construction
- Backdraft and updraft capability with dampers to adjust air flow
- Accommodates top mount filter collector or ducted external collector
- Overhead, drop down explosion proof lighting
- Adjustable rear shelf
- Ceiling mount fume arm inlets
- Electrical outlets



Avani WB 6000 Series

Avani's premier welding booth series is fully loaded with features including dual 110v outlets and two built in gas or compressed air lines terminated on top for easy connection. Add an optional center mount integral collector for even distribution of air flow or ducted to a central air filtration system

Standards include:

- Double panel wall construction
- Backdraft and updraft capability with dampers to adjust air flow
- Swing open backdraft panel for debris clean-out
- Overhead, recessed explosion proof lighting
- Ceiling mount fume arm inlets
- Electrical outlets
- Compressed air and gas connections
- Accommodates top mount filter collector or ducted external collector

Single Booths	WB-6055-S: 5' x 5' with collector
	WB-6066-S: 6' x 6' with collector
Double Booths	WB-6055-D: 5' x 5' with shared collector
	WB-6066-D: 6' x 6' with shared collector



Mobile Welding Trailer

Two 58" x 41" enclosures, auto-clean (reverse-pulse) filter cleaning, self-contained welding booth.